

FRAME LITE conference table and desk range. Design: Wolfgang C. R. Mezger.



Frame Lite is diverse and flexible. The executive office and conference room furniture combines a corporate image with useful functionality. With its lighter table tops Frame Lite displays both lightness and modern elegance.

Product description

Modell no. 4800

Table tops

Surfaces: fine textured paint, paint white no. .03, HPL laminate, linoleum, fenix® and veneers from price groups II, IV, V, VI. Thickness of top: 33 mm.

Tables with C-leg/T-leg or panel leg can be optionally fitted with a bevelled edge at the user side of the table (for surcharge). Top thickness 33 mm tapered of 30° to 16 mm.



Table legs

U-section frame:

natural anodised aluminium with integrated vertical cable duct.



T-leg: chrome-plated steel with a brushed matt finish or highly polished chrome-plated.



C-leg: chrome-plated steel with a brushed matt finish or highly polished chrome-plated.



Panel leg:

fine textured paints or paint white no. .03 with integrated vertical cable duct.



All table legs with integrated height adjustment.

As a standard screwed to table top, optionally with a quick fastening system model no. 4830 for assembly without tools (for surcharge).

Accessories

For versions and accessories see the following pages. Connectors on request.

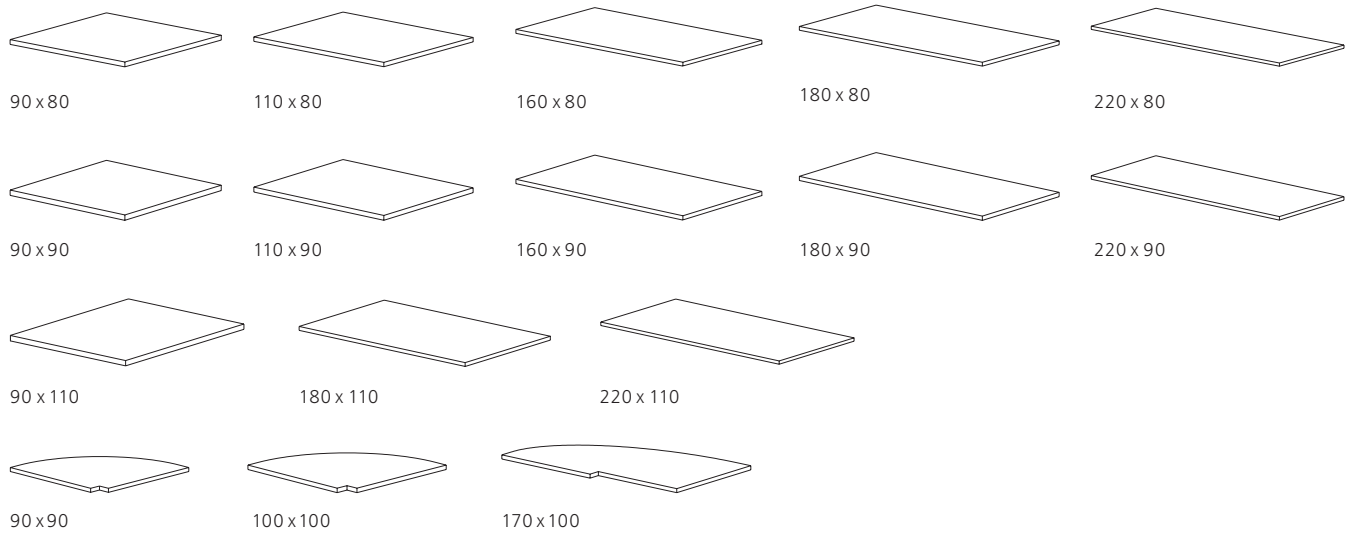
Ordering advice

The surfaces for the relevant price groups can be found on the back pages. Please always specify the surface when ordering, e.g. 4800 in wengé = 4800.85. Continuous veneer configurations must be planned by Walter Knoll otherwise there is no guarantee that veneers will match when making individual table tops into table systems.

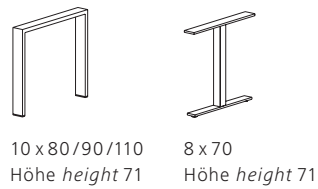
FRAME LITE conference table and desk range.

Technical drawings and dimensions

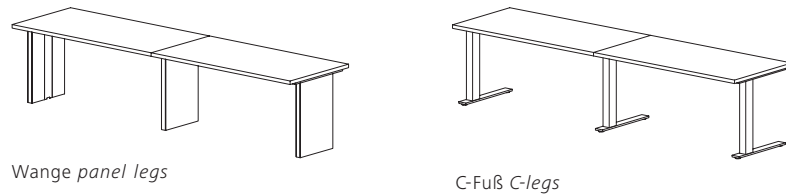
Tischplatten *Table tops*



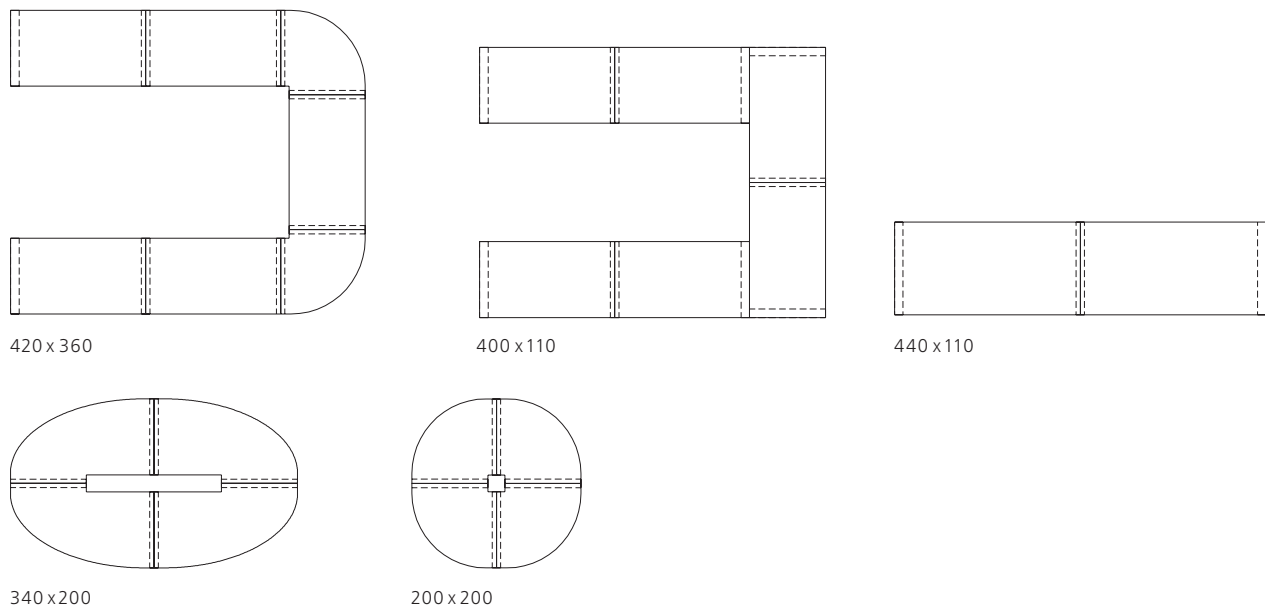
Füße *Legs*



Beispiele für Tischbeinelemente. *Examples for leg elements.*



Beispiele für Konferenzenanlagen. *Examples for conference configurations.*



All dimensions in cm.